

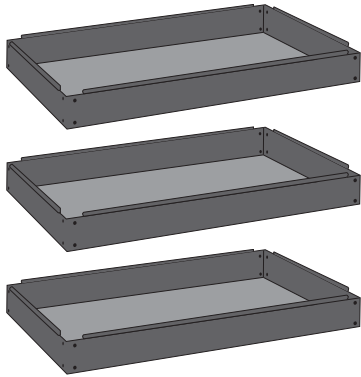
Economy Service Cart

Assembly Instructions



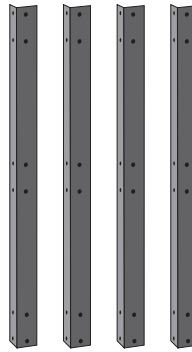
PARTS LIST

Tray Shelves



* 3rd Tray Shelf with 3 Shelf Unit only.

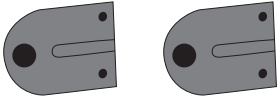
4 Posts



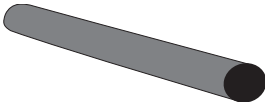
 **36 Nuts & Bolts**
 2 Shelf Unit

 **48 Nuts & Bolts**
 3 Shelf Unit

2 Handle Ears



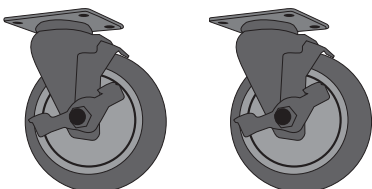
1 Handle Bar



2 Caster plates

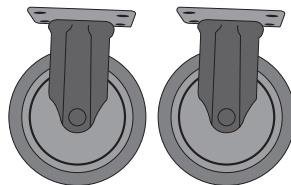


2 Swivel Locking Casters



 **8 Nuts & Bolts**


2 Rigid Casters



 **8 Nuts & Bolts**


GENERAL SAFETY INFORMATION

Use caution when setting up this unit. Some parts may have sharp edges. Care must be taken when handling various pieces to avoid injury. For safety, wear a pair of work gloves when assembling or performing any maintenance.

STEP 1

With 1 tray shelf on floor, attach the 4 posts to each corner of the tray.

*** STEP 2 - 3 SHELF UNIT ONLY**

Tray Shelf Set-up

- a. Slide 2nd tray shelf into the middle position of the posts aligning it with the center mounting holes. Attach the tray to the unit.

Platform Shelf Set-up

- b. With bottom/flat area of the shelf up, slide 2nd tray shelf into the middle position of the posts aligning it with the center mounting holes. Attach the tray to the unit.

STEP 3

Tray Top Set-up

- a. Slide 2nd/3rd tray shelf into the top position of the posts aligning it with the top mounting holes. Attach the tray to the unit, but reserve two outside holes, on the side you wish to be the rear, on each post.

Platform Top Set-up

- b. With bottom/flat area of the shelf up, slide 2nd/3rd tray shelf into the top position of the posts aligning it with the top mounting hole. Attach the tray to the unit, but reserve two outside holes, on the side you wish to be the rear, on each post.

STEP 4

Attach 1 handle ear to a post with the reserved outside holes. Be sure to attach the ear to the post with the lipped side facing inwards.

STEP 5

Place handle bar into the ear lip, then attach the 2nd handle ear to the opposite post mounting the handle bar in place.

STEP 6

Check for stabilization, recheck all nuts, bolts and screws for tightness.

STEP 7

Place the unit upside down on the floor. Place the two caster plates on the bottom of the unit, aligning each plate with the 8 holes on either side.

STEP 8

On the side of the unit with the handle bar, attach the locking swivel casters with a caster plate between the unit and the casters.

STEP 9

On the front side of the unit, attach the rigid casters with a caster plate between the unit and the casters.

STEP 10

Flip the unit back over onto the casters, check for stabilization, recheck all nuts, bolts and screws for tightness.

